



NOTE

- Load Should Be Uniformly Distributed All Over The Surface.
- Steel Reinforcement Is Must For Racking Load.
- It Is Recommended To Lift Pallet From Short Side With Jaw Size Of Forklift Adjusted At 685 Mm.
- Do Not Throw / Shoulder Drop Goods On Pallet.
- Static Load & Dynamic Load Is Being Calculated On Coverage Of Entire Pallet Area.

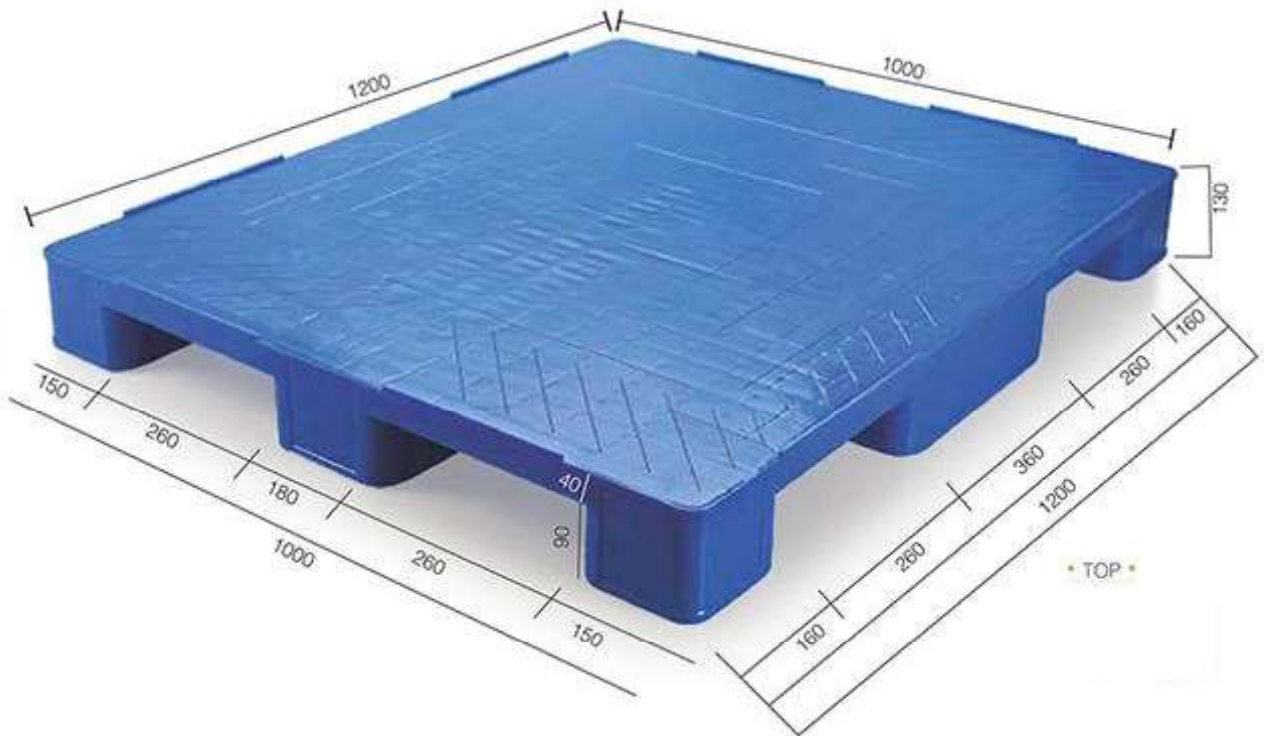


STEEL REINFORCEMENT ENHANCING THE LOAD BEARING CAPACITY AVAILABLE IN 121008, 121013, 121015 & 121016 SERIES.

ITEM CODE : 121008 CFT | 9 LEG PALLET

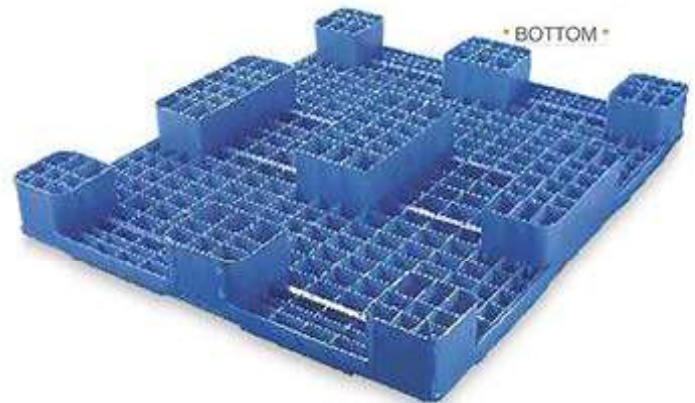
DIMENSION:	1200 x 1000 x 80 mm	MATERIAL	HDPE
STATIC LOAD	1500 kgs	4 WAY	✓
DYNAMIC LOAD	500 kgs	2 WAY	✗
RACKING LOAD	N. A.	METAL TUBE	✓





NOTE

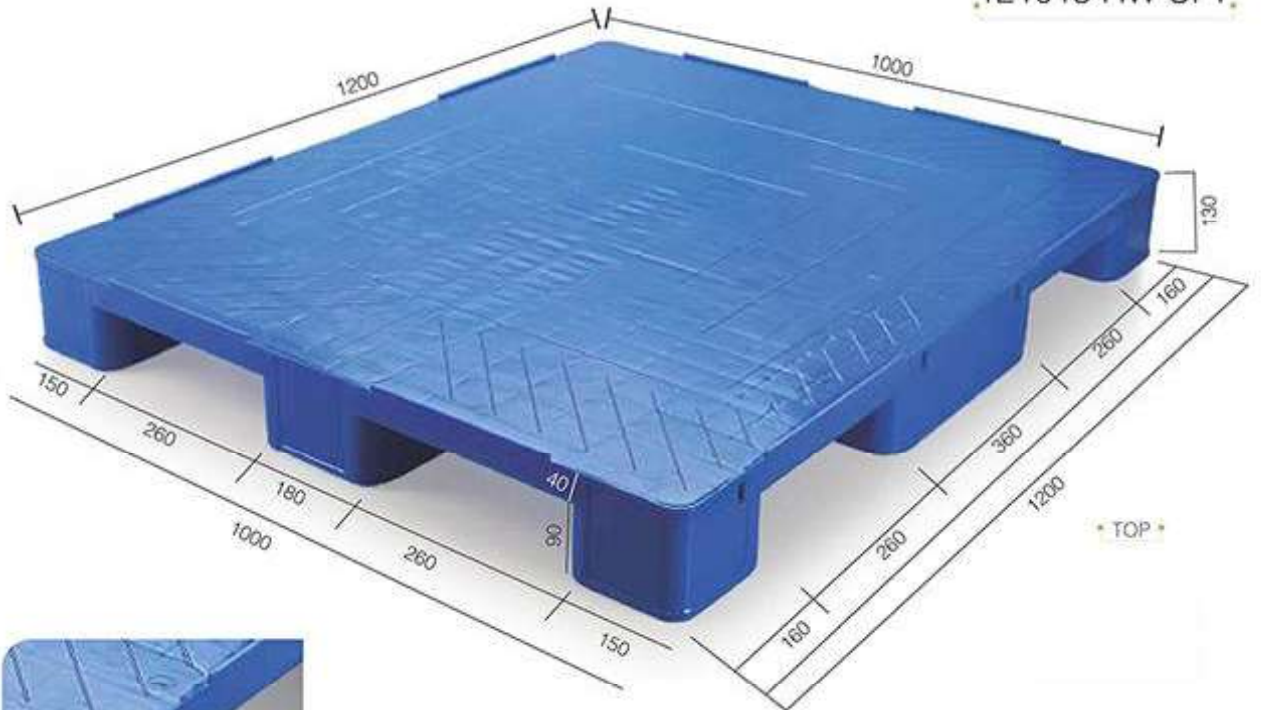
- Load Should Be Uniformly Distributed All Over The Surface.
- Steel Reinforcement Is Must For Racking Load.
- It Is Recommended To Lift Pallet From Short Side With Jaw Size Of Forklift Adjusted At 685 Mm.
- Do Not Throw / Shoulder Drop Goods On Pallet.
- Static Load & Dynamic Load Is Being Calculated On Coverage Of Entire Pallet Area.



ITEM CODE : 121013 LW CFT | 9 LEG PALLET

DIMENSION:	1200 x 1000 x 130 mm	MATERIAL	HDPE
STATIC LOAD	2500 kgs	4 WAY	✓
DYNAMIC LOAD	600 kgs	2 WAY	✓
RACKING LOAD	N. A.	METAL TUBE	N. A.

121013 HW CFT



STEEL REINFORCEMENT ENHANCING THE LOAD BEARING CAPACITY AVAILABLE IN 121008, 121013, 121015 & 121016 SERIES.

• BOTTOM •



NOTE

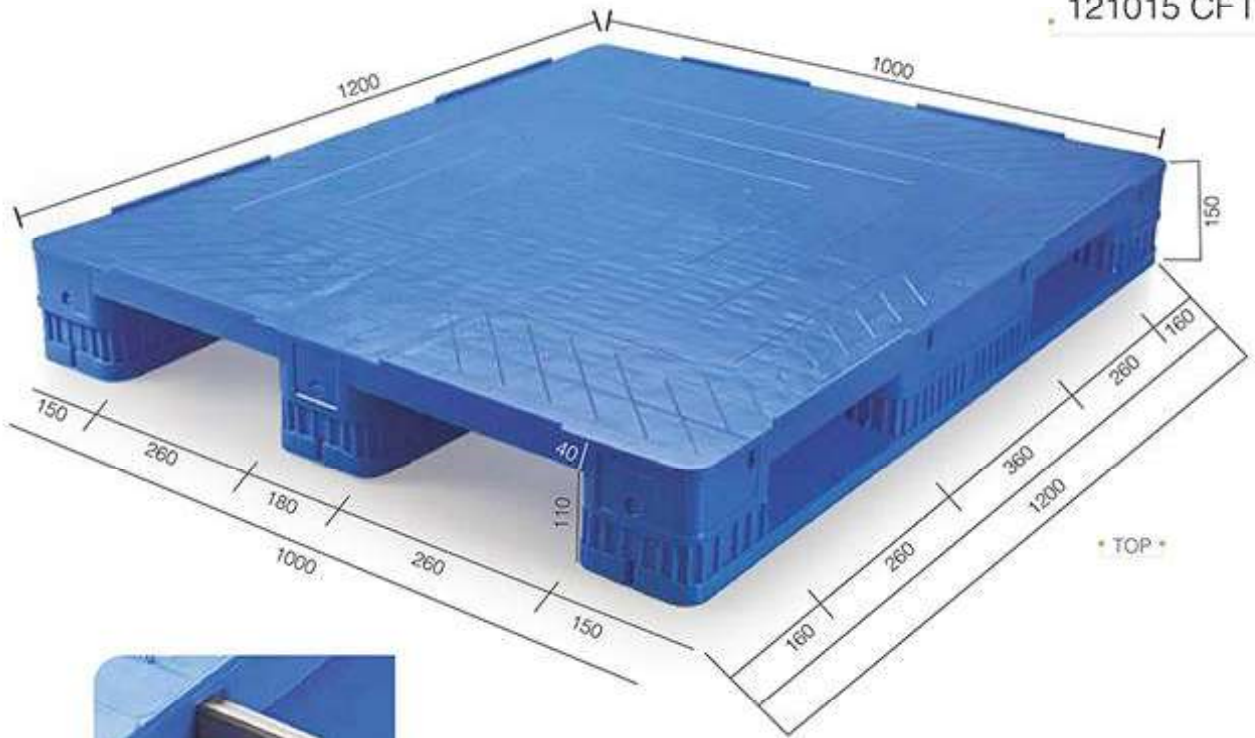
- Load Should Be Uniformly Distributed All Over The Surface.
- Steel Reinforcement Is Must For Racking Load.
- It Is Recommended To Lift Pallet From Short Side With Jaw Size Of Forklift Adjusted At 685 Mm.
- Do Not Throw / Shoulder Drop Goods On Pallet.
- Static Load & Dynamic Load Is Being Calculated On Coverage Of Entire Pallet Area.

ITEM CODE : 121013 HW CFT | 9 LEG PALLET

DIMENSION:	1200 x 1000 x 130 mm	MATERIAL	HDPE
STATIC LOAD	3000 kgs	4 WAY	✓
DYNAMIC LOAD	800 kgs	2 WAY	✓
RACKING LOAD	N. A.	METAL TUBE	✓



121015 CFT

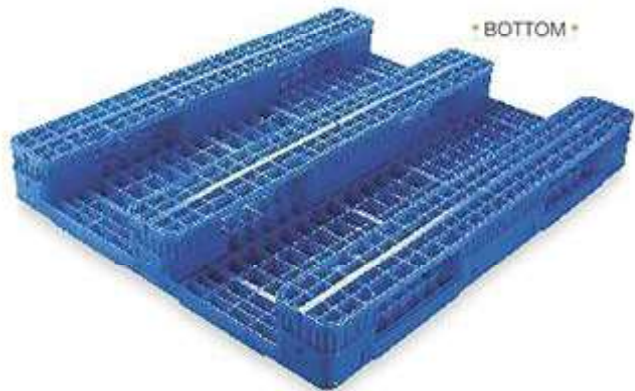


STEEL REINFORCEMENT ENHANCING THE LOAD BEARING CAPACITY AVAILABLE IN 121008, 121013, 121015 & 121016 SERIES.

NOTE

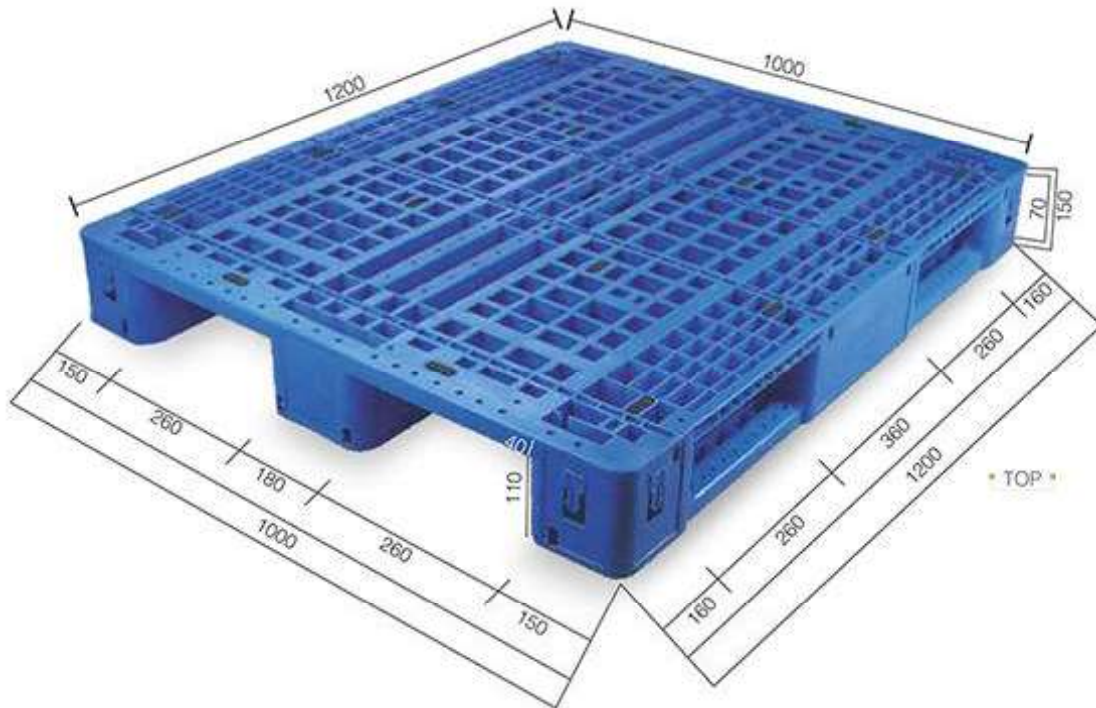
- Load Should Be Uniformly Distributed All Over The Surface.
- Steel Reinforcement Is Must For Racking Load.
- It Is Recommended To Lift Pallet From Short Side With Jaw Size Of Forklift Adjusted At 685 Mm.
- Do Not Throw / Shoulder Drop Goods On Pallet.
- Static Load & Dynamic Load Is Being Calculated On Coverage Of Entire Pallet Area.

* BOTTOM *



ITEM CODE : 121015 CFT | 3 RUNNER PALLET

DIMENSION:	1200 x 1000 x 150 mm	MATERIAL	HDPE
STATIC LOAD	4500 kgs	4 WAY	✓
DYNAMIC LOAD	1000 kgs	2 WAY	✓
RACKING LOAD	800 kgs	METAL TUBE	✓



• TOP •

• BOTTOM •



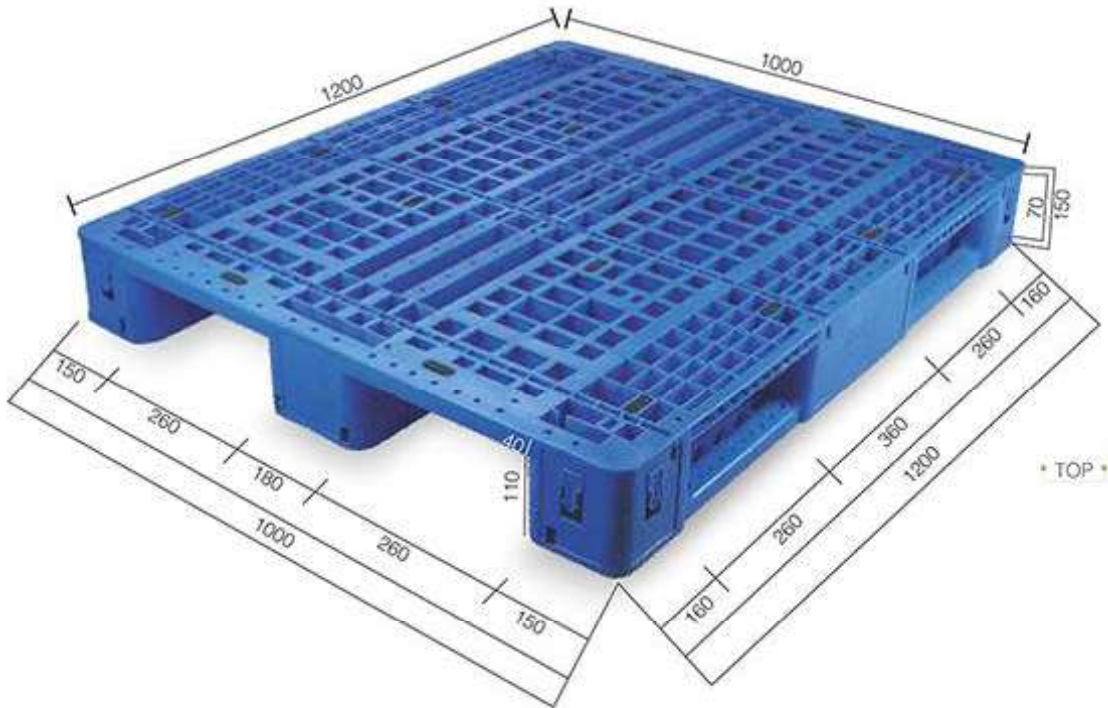
NOTE

- Load Should Be Uniformly Distributed All Over The Surface.
- Steel Reinforcement Is Must For Racking Load.
- It Is Recommended To Lift Pallet From Short Side With Jaw Size Of Forklift Adjusted At 685 Mm.
- Do Not Throw / Shoulder Drop Goods On Pallet.
- Static Load & Dynamic Load Is Being Calculated On Coverage Of Entire Pallet Area.

ITEM CODE : 121015 LW

DIMENSION:	1200 x 1000 x 150 mm	MATERIAL	HDPE
STATIC LOAD	2500 kgs	4 WAY	✓
DYNAMIC LOAD	800 kgs	2 WAY	✓
RACKING LOAD	N. A.	METAL TUBE	✓





* TOP *

* BOTTOM *



NOTE

- Load Should Be Uniformly Distributed All Over The Surface.
- Steel Reinforcement Is Must For Racking Load.
- It Is Recommended To Lift Pallet From Short Side With Jaw Size Of Forklift Adjusted At 685 Mm.
- Do Not Throw / Shoulder Drop Goods On Pallet.
- Static Load & Dynamic Load Is Being Calculated On Coverage Of Entire Pallet Area.



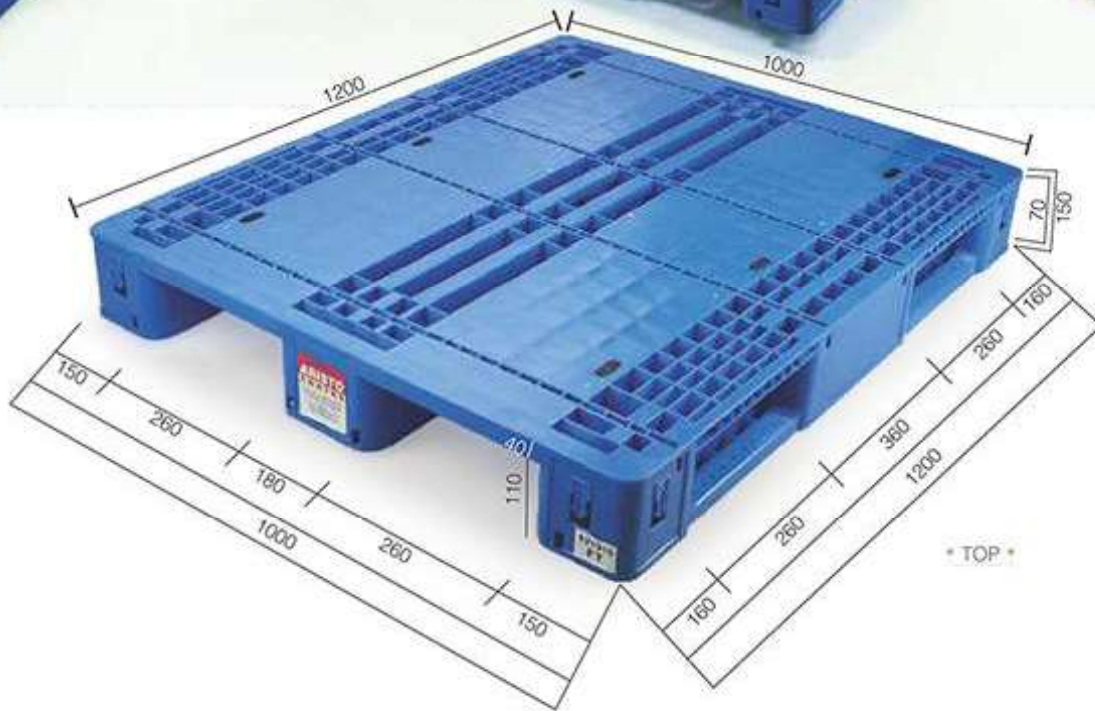
ITEM CODE : 121015 MW

DIMENSION:	1200 x 1000 x 150 mm	MATERIAL	HDPE
STATIC LOAD	4000 kgs	4 WAY	 ✓
DYNAMIC LOAD	1000 kgs	2 WAY	 ✓
RACKING LOAD	600 kgs	METAL TUBE	✓



PALLETS SERIES

121015 FT



* TOP *

ITEM CODE : 121015 FT

	DIMENSION:	1200 x 1000 x 150 mm	MATERIAL	HDPE
	STATIC LOAD	4000 kgs	4 WAY	✓
	DYNAMIC LOAD	800 kgs	2 WAY	✓
	RACKING LOAD	500 kgs	METAL TUBE	✓

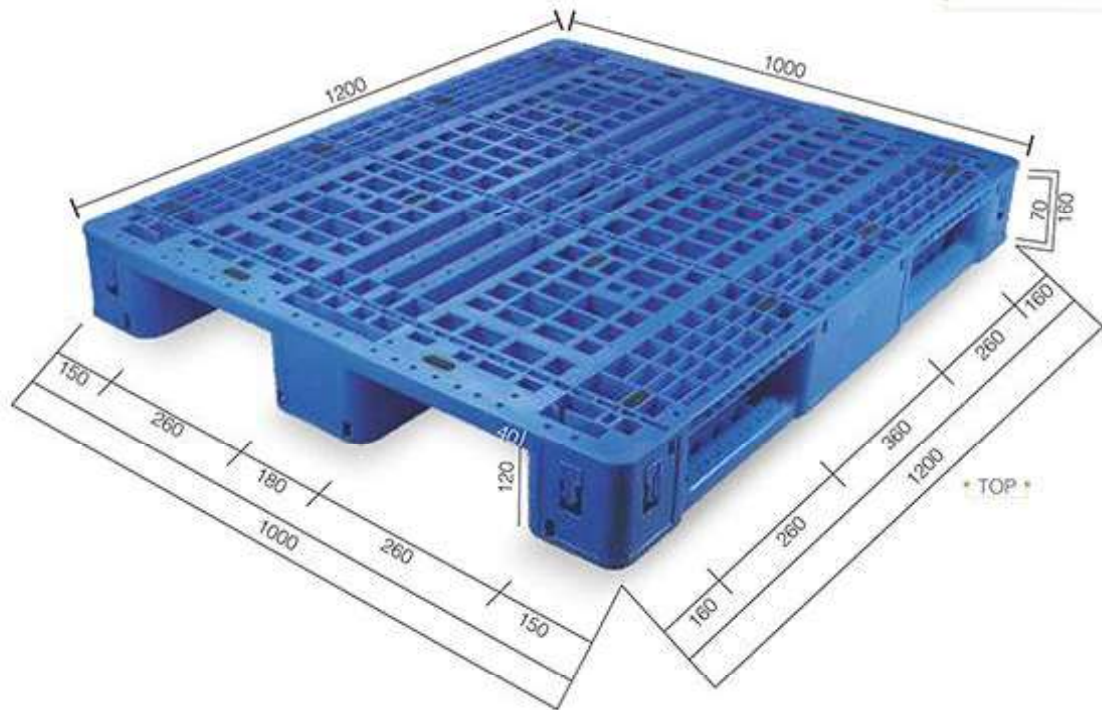
* BOTTOM *



NOTE

- Load Should Be Uniformly Distributed All Over The Surface.
- Steel Reinforcement Is Must For Racking Load.
- It Is Recommended To Lift Pallet From Short Side With Jaw Size Of Forklift Adjusted At 685 Mm.
- Do Not Throw / Shoulder Drop Goods On Pallet.
- Static Load & Dynamic Load Is Being Calculated On Coverage Of Entire Pallet Area.

121016 LW



NOTE

- Load Should Be Uniformly Distributed All Over The Surface.
- Steel Reinforcement Is Must For Racking Load.
- It Is Recommended To Lift Pallet From Short Side With Jaw Size Of Forklift Adjusted At 685 Mm.
- Do Not Throw / Shoulder Drop Goods On Pallet.
- Static Load & Dynamic Load Is Being Calculated On Coverage Of Entire Pallet Area.

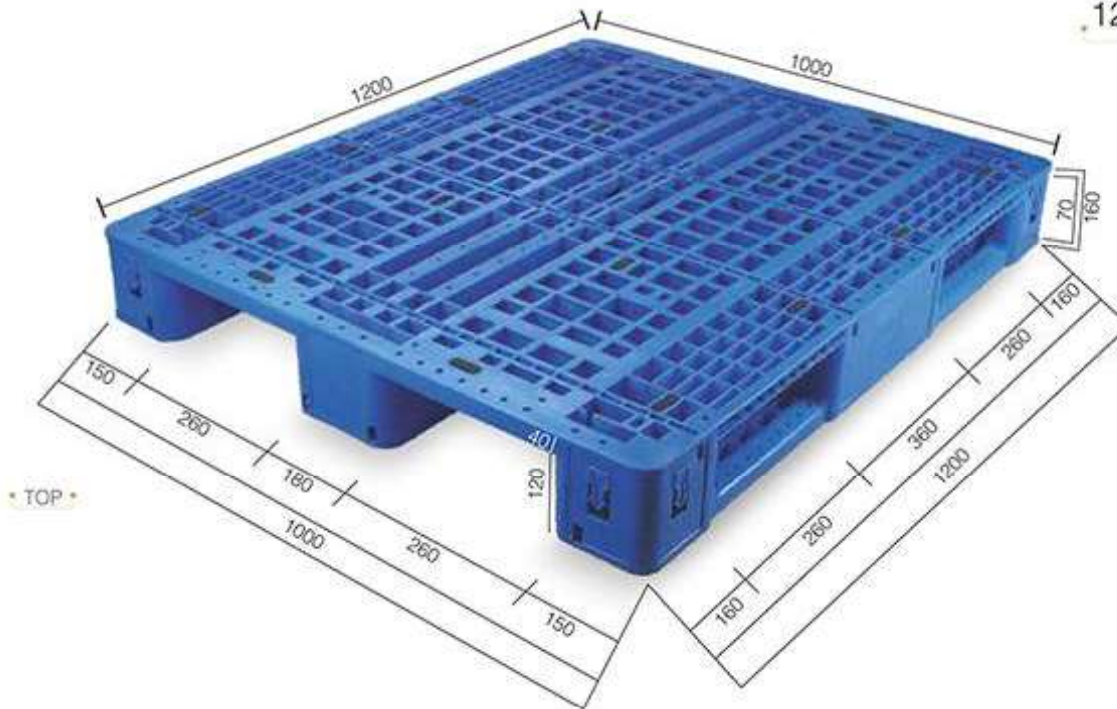
* BOTTOM *



ITEM CODE : 121016 LW

DIMENSION:	1200 x 1000 x 160 mm	MATERIAL	HDPE
STATIC LOAD	4000 kgs	4 WAY	✓
DYNAMIC LOAD	1000-1200 kgs	2 WAY	✓
RACKING LOAD	700 kgs	METAL TUBE	✓

121016 MW



* BOTTOM *



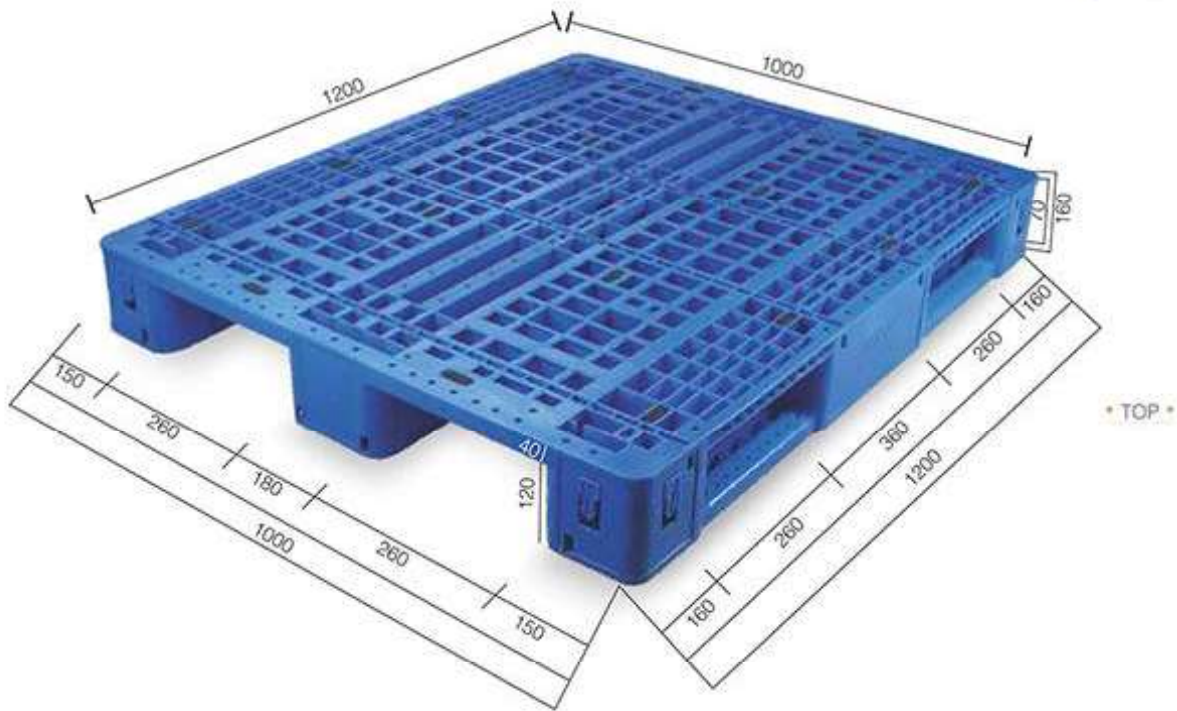
NOTE

- Load Should Be Uniformly Distributed All Over The Surface.
- Steel Reinforcement Is Must For Racking Load.
- It Is Recommended To Lift Pallet From Short Side With Jaw Size Of Forklift Adjusted At 685 Mm.
- Do Not Throw / Shoulder Drop Goods On Pallet.
- Static Load & Dynamic Load Is Being Calculated On Coverage Of Entire Pallet Area.



ITEM CODE : 121016 MW

DIMENSION:	1200 x 1000 x 160 mm	MATERIAL	HDPE
STATIC LOAD	5000 kgs	4 WAY	 ✓
DYNAMIC LOAD	1000-1200 kgs	2 WAY	 ✓
RACKING LOAD	800 kgs	METAL TUBE	✓



NOTE

- Load Should Be Uniformly Distributed All Over The Surface.
- Steel Reinforcement Is Must For Racking Load.
- It Is Recommended To Lift Pallet From Short Side With Jaw Size Of Forklift Adjusted At 685 Mm.
- Do Not Throw / Shoulder Drop Goods On Pallet.
- Static Load & Dynamic Load Is Being Calculated On Coverage Of Entire Pallet Area.

• BOTTOM •



ITEM CODE : 121016 HW

		MATERIAL	HDPE
DIMENSION:	1200 x 1000 x 160 mm	4 WAY	✓
STATIC LOAD	6000 kgs	2 WAY	✓
DYNAMIC LOAD	1200-1400 kgs	METAL TUBE	✓
RACKING LOAD	1000 kgs		



STEEL REINFORCEMENT
AVAILABLE IN
150 & 160 SERIES ONLY.



STEEL REINFORCEMENT ENHANCING THE LOAD BEARING CAPACITY
AVAILABLE IN 121015 & 121016 SERIES.



121014 L

• TOP •



ITEM CODE : 121014 L

ITEM CODE : 121014 L BLUE

DIMENSION:	1200 x 1000 x 140mm	MATERIAL	HDPE
STATIC LOAD	1500 kgs	4 WAY	 ✓
DYNAMIC LOAD	600 kgs	4 WAY	 ✓
LEGS	9 legs	NESTABLE	✓
RACKING LOAD	N. A	METAL TUBE	N. A.

NOTE

- ◀ Load Should Be Uniformly Distributed All Over The Surface
- ◀ Do Not Throw / Shoulder Drop Goods On Pallet
- ◀ Perforated & Nestable Pallet
- ◀ Specially Designed For Exports

• TOP •



ITEM CODE : 121014 L

DIMENSION:	1200 x 1000 x 140mm	MATERIAL	HDPE
STATIC LOAD	1200 kgs	4 WAY	 ✓
DYNAMIC LOAD	500 kgs	4 WAY	 ✓
LEGS	9 legs	NESTABLE	✓
RACKING LOAD	N. A	METAL TUBE	N. A.